

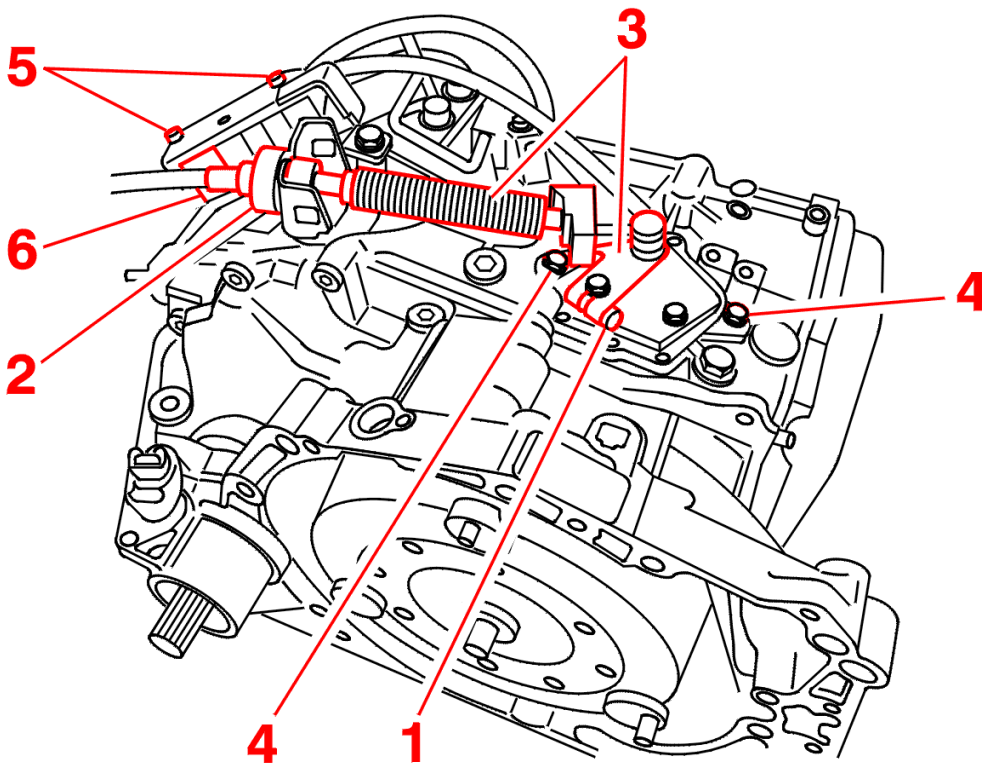
B2CG78K1 - 406D9 AL4 AUTOMATIC GEARBOX

REMOVAL - REFITTING MULTI-FUNCTION SWITCH

1 - REMOVAL

Place the gear selection lever in position N .

Remove the air cleaner .



Remove :

- the cap (1)
- the clip (2)
- the assembly (3)
- the bolts (4) - (5)
- the connector (6)
- the multi-function switch

2 - REFITTING

Check the condition of the gearbox housing gasket .

Rectify (if necessary) .

Fit the multi-function switch .

Proceed in the reverse order to removal .

[CARRY OUT THE ADJUSTMENT OPERATION](#) .